



# ZIP-EZ™

## SUBMITTAL SHEET

### Insulation Fastener — Specification Submittal for Approval

ZIP-EZ™ Duct Wrap & Insulation Fasteners · J.T. Products LLC

#### PROJECT INFORMATION

Project Name: \_\_\_\_\_

Project Number: \_\_\_\_\_

Submitted By: \_\_\_\_\_

Date Submitted: \_\_\_\_\_

Engineer of Record: \_\_\_\_\_

Approved By: \_\_\_\_\_

Date Approved: \_\_\_\_\_



#### CERTIFICATIONS & PERFORMANCE

- ✓ Duct Blaster Tested — Zero measured air leakage at all fastener penetration points
- ✓ Independently certified by BPI-Certified HERS Rater using calibrated equipment
- ✓ GreenSpec® Listed — Sustainable product directory
- ✓ Made in USA — Patented design, manufactured in New York
- ✓ No tape, no staples, no callbacks — permanent mechanical fastening

#### GREENSPEC® LISTED

Sustainable product directory

#### DUCT BLASTER TESTED

##### ZERO MEASURED AIR LEAKAGE

BPI-Certified HERS Rater · Calibrated equipment · Independent test

#### MADE IN USA

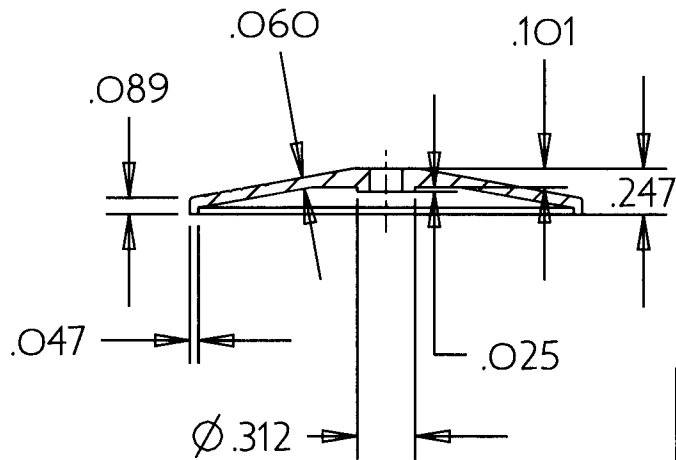
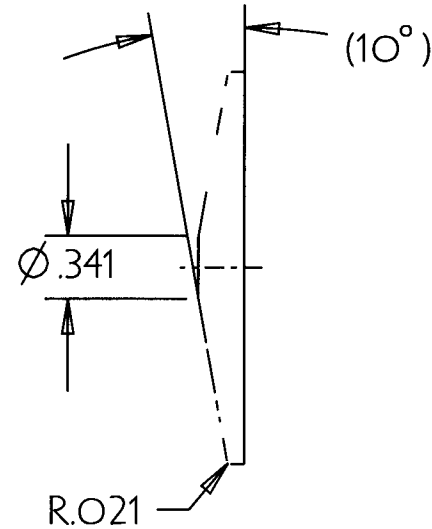
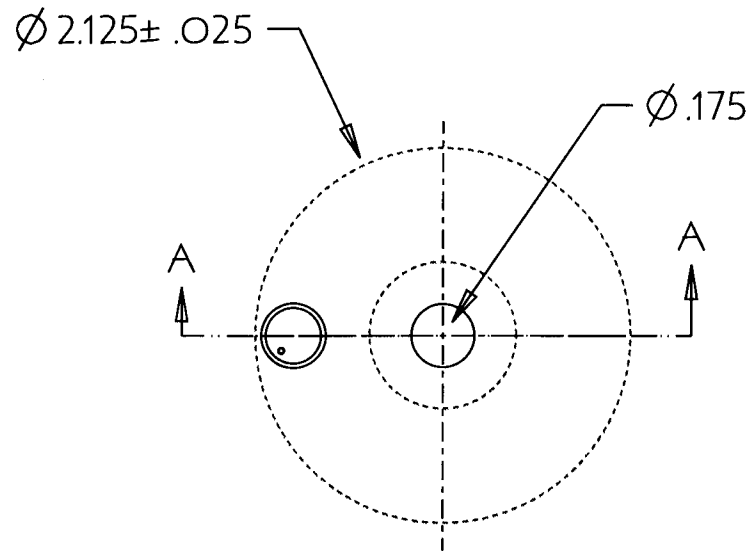
Patented American manufacturing

Pro/E MODEL NAME: JT\_PRODUCTS.

REV

DESCRIPTION

DATE



SECTION A-A

CUSTOMER JT PRODUCTS		PART NAME JT_PRODUCTS	
SHRINKAGE:		TITLE: <b>ZIP-EZ</b>	
DATE: 23-Oct-08	SIZE A	PLASTIC MAT. PP	SHEET 1 of 1
SCALE 1:1			